

High Security Cam Locks & Keeps



Features

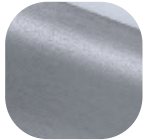
- High security**
 Engineered for strength to offer premium security for vertical sliding windows. The combination of six fixing points, a stainless steel keep faceplate and a forged cam give increased resistance to physical attacks. Can also be fitted with a standard perfectly matching keep if security not required
- Stylish design**
 Sits discreetly on the window with a choice of lever style – Classic, Heritage or Architectural
- Perfectly Matching**
 Each lever design has a corresponding bottom Sash Knob for that Classic, Heritage or Architectural window design
- Colour coordinated screws**
 Perfectly match to the Cam Lock, even down to the small details and available in the complete range of Hardex finishes
- Designed for PVCu, Timber and Aluminium sliding windows**
 To suit all window materials, we have a range of different keeps to suit specific profiles
- Tried and Tested**
 Tested in our UKAS test facility to meet the requirement of Secured by Design on a number of window systems including Spectus, Veka, Rehau and Eurocell. A range of system specific accessories designed to achieve PAS 24:2012 are also available including Chimneys, Aluminium Security Strips and Guide Catches
- Guaranteed**
 The high security packaged is supported by the ERA Total Security Guarantee for homeowners giving them peace of mind



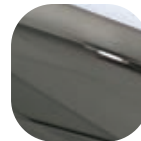
Hardex Chrome



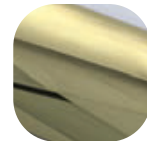
Hardex Satin



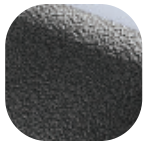
Hardex Graphite



Hardex Bronze



Hardex Gold



Antique Black



Hardex Pewter



White



Black

High Security Cam Locks & Keeps

Ordering Details

Product

High Security Cam Lock

Finish	Classic	Heritage	Architectural
Hardex Chrome	VHCLCHC01A	VHCLHHC01A	VHCLAHC01A
Hardex Bronze	VHCLCHB01A	VHCLHHB01A	VHCLAHB01A
Hardex Gold	VHCLCHG01A	VHCLHHG01A	VHCLAHG01A
Hardex Graphite	VHCLCGR01A	VHCLHGR01A	VHCLAGR01A
Hardex Satin	VHCLCSA01A	VHCLHSA01A	VHCLASA01A
White	VHCLCWH01A	VHCLHWH01A	VHCLAWH01A
Black	VHCLCBK01A	VHCLHKB01A	VHCLABK01A

*For windows over 800mm wide, 2 cam locks and keeps are required.

High Security Keeps

Finish	Small (25mm plate)	Large (30mm plate)
Hardex Chrome	VHKPSHC08B	VHKPSHC11B
Hardex Bronze	VHKPSHB08B	VHKPSHB11B
Hardex Gold	VHKPSHG08B	VHKPSHG11B
Hardex Graphite	VHKPSGR08B	VHKPSGR11B
Hardex Satin	VHKPSSA08B	VHKPSSA11B
White	VHKPSWH08B	VHKPSWH11B
Black	VHKPSBK08B	VHKPSBK11B

High Security Cam Lock and Keep Set

Finish	Classic	Heritage	Architectural
Antique Black			
Small Standard Keep	VHCLCAB0108B	VHCLHAB0108B	VHCLAAB0108B
Large Standard Keep	VHCLCAB0111B	VHCLHAB0111B	VHCLAAB0111B
Small Security Keep	VHCLCAB01SMB	VHCLHAB01SMB	VHCLAAB01SMB
Large Security Keep	VHCLCAB01LGB	VHCLHAB01LGB	VHCLAAB01LGB
Hardex Pewter			
Small Standard Keep	VHCLCPT0108	VHCLHPT0108	VHCLAPT0108
Large Standard Keep	VHCLCPT0111	VHCLHPT0111	VHCLAPT0111
Small Security Keep	VHCLCPT01SM	VHCLHPT01SM	VHCLAPT01SM
Large Security Keep	VHCLCPT01LG	VHCLHPT01LG	VHCLAPT01LG

*For windows over 800mm wide, 2 cam locks and keeps are required.

Spare Key	723-KEY
-----------	---------

Technical Information

Corrosion Resistance
Meets the requirements of BS EN 1670:2007 Grade 5 (480 hours)

Performance
Tested to meet the requirements of PAS 24:2012 on selected window systems

Material Specification

Cam Lock and Keep:	Zinc Die Cast
Keys:	Steel
Coatings:	Hardex Chrome, Hardex Bronze, Hardex Gold, Hardex Graphite, Hardex Satin, Hardex Pewter, Antique Black, White and Black.
Chimneys:	Nylon
Security Strips:	Aluminium
Guide Catches:	30% Glass filled Nylon, Stainless Steel spring, Aluminium side catch
Sash Packed:	Nylon

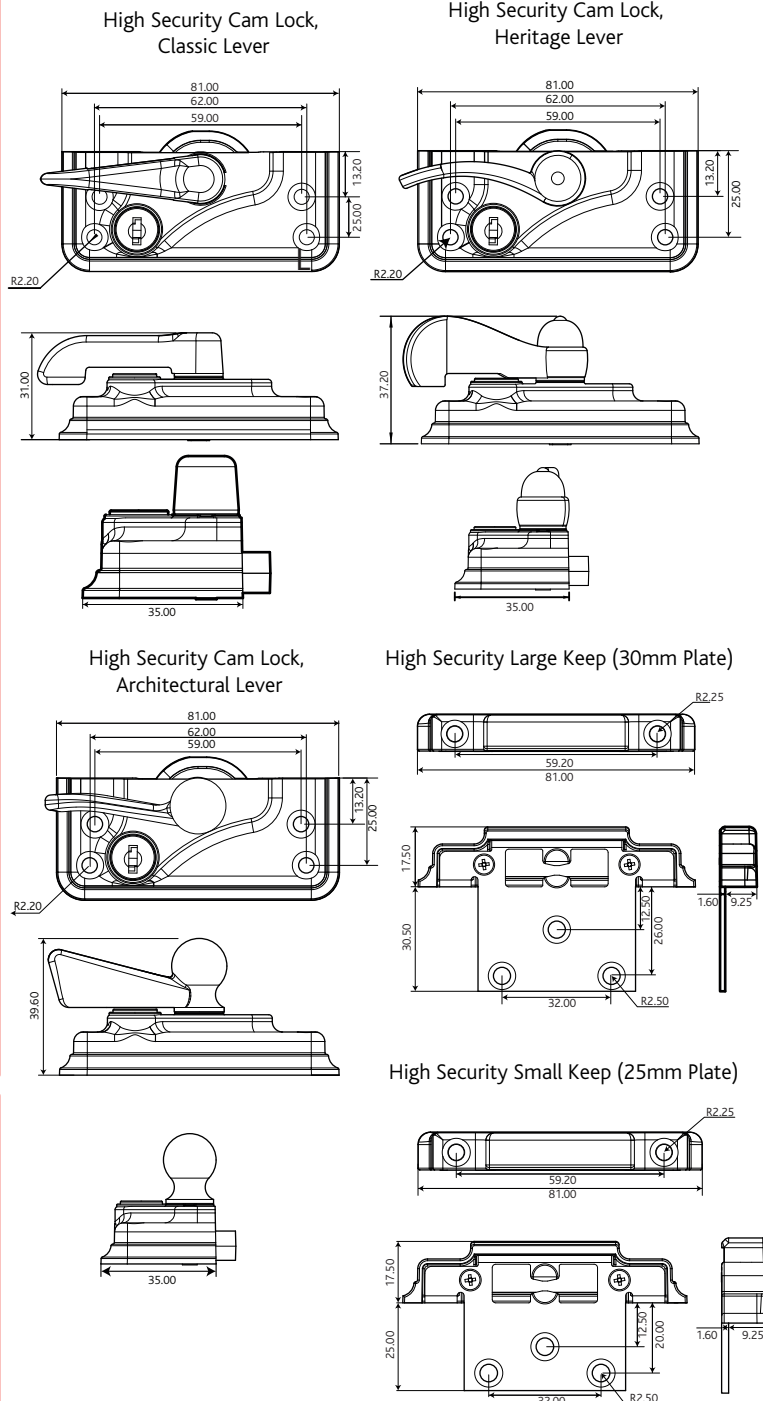


Diagram not to scale.
All dimensions are in mm and are nominal.
Fab&Fix reserves the right to change specification without notice.
It is the responsibility of the window manufacturer to ensure that the finished product meets any required safety and performance specification.