

Guru Locking



Features

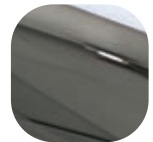
- **Solid die cast Zinc construction**
Heavyweight handle with sturdy feel
- **Classic design with a contemporary twist**
Create an elegant and stylish window
- **Heavy duty sprung latching wedge**
Positive click on closing
- **Patented cover caps with colour coordinated finish**
Perfectly matching hardware, even down to the smallest details
- **Key clicks into place when inserted**
Won't fall out of the lock, even when pivoting the lever
- **Slimline and standard keeps available**
Compatible with various frame section configurations



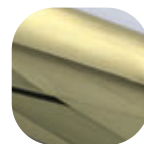
Hardex
Chrome



Hardex
Satin



Hardex
Bronze



Hardex
Gold

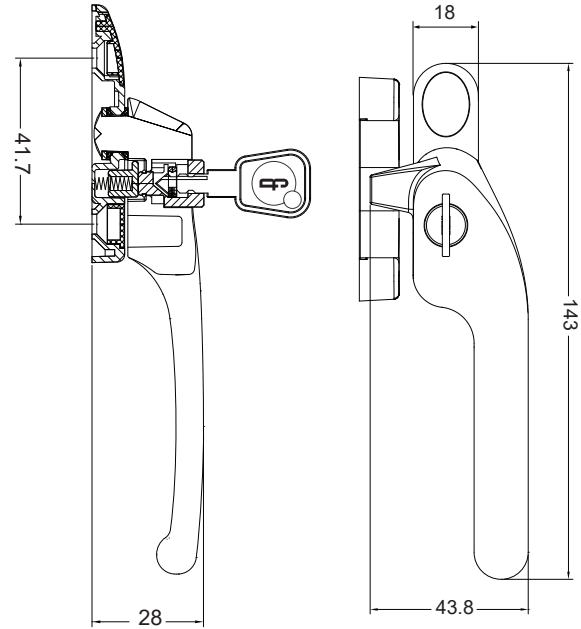


White

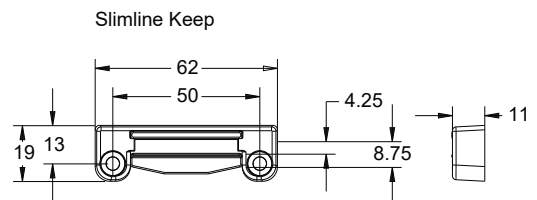
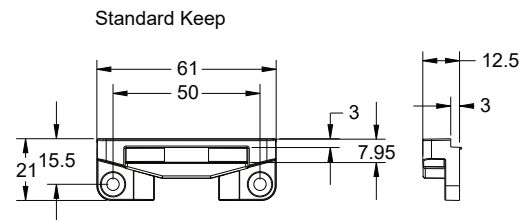
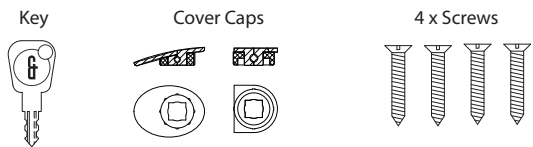
Guru Locking

Ordering Details		
Product		
Guru Locking		
Finish	Part No.	
Handles	Right Hand	Left Hand
Hardex Chrome	0H001	0H101
Hardex Satin	0H002	0H102
Hardex Bronze	0H003	0H103
Hardex Gold	0H005	0H105
White	0H000	0H100
Keeps	Standard	Slimline
Hardex Chrome	0H401	0H501
Hardex Satin	0H402	0H502
Hardex Bronze	0H403	0H503
Hardex Gold	0H405	0H505
White	0H400	0H500

For additional part numbers please contact our sales office.



Technical Information	
Corrosion resistance	Meets the requirements of BS EN 1670:2007 Grade 5 (480 hours)
Operation	Endurance tested in excess of 50,000 cycles
Performance	Tested to meet the requirements of PAS 24 as part of a compliant window
Material Specification	
Handle Grip and Backplate:	High quality Zinc for all finishes
Coatings:	Hardex Chrome, Hardex Satin, Hardex Bronze, Hardex Gold and White



Maintenance	
For continued protection of the quality finish and appearance, Fab&Fix advise routine cleaning of all our external hardware. Moving parts should also be lightly lubricated at least twice a year. This procedure is particularly essential if products are used within a 25-mile radius of coastal areas or close proximity to building sites or large industrial areas, where more frequent cleaning may be required to prevent the accumulation of corrosive contaminants.	

Packaging	
Handles	Individually bagged with screws and care instructions. 40 handles in an outer box.

All dimensions are in mm and are nominal.
Fab&Fix reserves the right to change specification without notice
It is the responsibility of the window manufacturer to ensure that the finished product meets any required safety and performance specification.