

Connoisseur Cranked Locking



Features

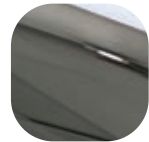
- **Solid die cast Zinc construction**
Heavyweight handle with sturdy feel
- **Heavy duty sprung latching wedge**
Positive click on closing
- **Long handle with 43 mm window clearance**
Greater leverage and easy to operate without catching a hand on the window
- **Classic design with a contemporary twist**
Create an elegant and stylish window
- **Patented cover caps with colour coordinated finish**
Perfectly matching components, even down to the smallest details
- **Secured By Design**
Additional peace of mind
- **Key clicks into place when inserted**
Won't fall out of the lock, even when pivoting the lever
- **Slotted spindle (40mm version only)**
Allows cropping to 5mm increments
- **Supplied with screw and spindle pack**
Everything needed for installation included



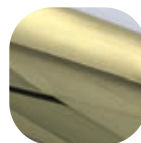
Hardex
Chrome



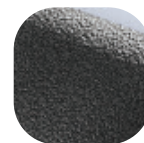
Hardex
Satin



Bronze



Hardex
Gold



Antique
Black



White

Connoisseur Cranked Locking

Ordering Details

Product

Connoisseur Cranked Locking - Right Hand

Finish	Part No.						
Spindle Size	10mm	15mm	20mm	25mm	30mm	35mm	40mm
Hardex Chrome	OF021	OF041	OF061	OF081	OF101	OF121	OF141
Hardex Satin	OF022	OF042	OF062	OF082	OF102	OF122	OF142
Hardex Bronze	OF023	OF043	OF063	OF083	OF103	OF123	OF143
Hardex Gold	OF025	OF045	OF065	OF085	OF105	OF125	OF145
Antique Black	OF026	OF046	OF066	OF086	OF106	OF126	OF146
White	OF020	OF040	OF060	OF080	OF100	OF120	OF140

Connoisseur Cranked Locking - Left Hand

Finish	Part No.						
Spindle Size	10mm	15mm	20mm	25mm	30mm	35mm	40mm
Hardex Chrome	OF321	OF341	OF361	OF381	OF401	OF421	OF441
Hardex Satin	OF322	OF342	OF362	OF382	OF402	OF422	OF442
Hardex Bronze	OF323	OF343	OF363	OF383	OF403	OF423	OF443
Hardex Gold	OF325	OF345	OF365	OF385	OF405	OF425	OF445
Antique Black	OF326	OF346	OF366	OF386	OF406	OF426	OF446
White	OF320	OF340	OF360	OF380	OF400	OF420	OF440

For additional part numbers please contact our sales office.

Technical Information

Corrosion resistance

Meets the requirements of BS EN 1670:2007 Grade 5 (480 hours)

Operation

Endurance tested in excess of 50,000 cycles

Performance

Tested to meet the requirements of PAS 24 as part of a compliant window

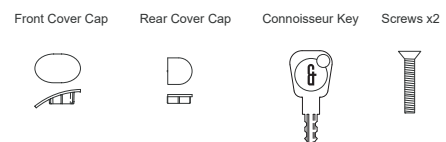
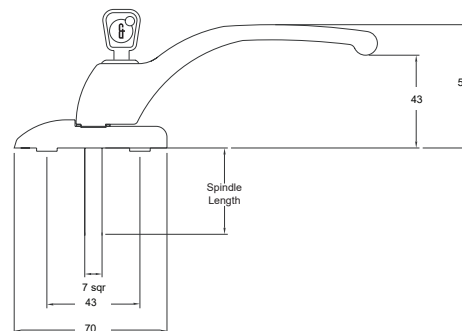
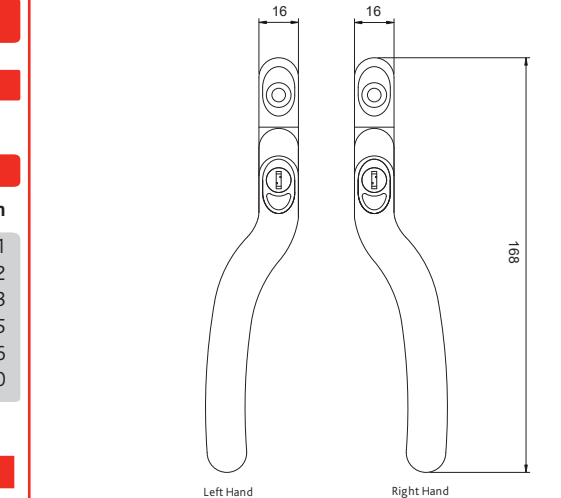
Material Specification

Handle Grip and Backplate: High quality Zinc for all finishes

Coatings: Hardex Chrome, Satin, Bronze, Gold, Antique Black and White

Maintenance

For continued protection of the quality finish and appearance, Fab&Fix advise routine cleaning of all our external hardware. Moving parts should also be lightly lubricated at least twice a year. This procedure is particularly essential if products are used within a 25-mile radius of coastal areas or close proximity to building sites or large industrial areas, where more frequent cleaning may be required to prevent the accumulation of corrosive contaminants.



All dimensions are in mm and are nominal. Fab&Fix reserves the right to change specification without notice. It is the responsibility of the window manufacturer to ensure that the finished product meets any required safety and performance specification.

Packaging

Handles

Individually bagged with screws, key, cover caps and care instructions. 10 handles in an inner box, 60 handles in an outer box.