

## Connoisseur Inline Non Locking



### Features

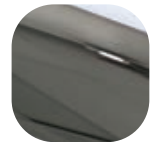
- **Solid die cast construction**  
Heavyweight handle with sturdy feel
- **Heavy duty sprung latching wedge**  
Positive click on closing
- **Long handle**  
Greater leverage and easy to operate without catching a hand on the window
- **Classic design with a contemporary twist**  
Create an elegant and stylish window
- **Patented cover caps with colour coordinated finish**  
Perfectly matching components, even down to the smallest details
- **Slotted spindle (40mm version only)**  
Allows cropping to 5mm increments
- **Dedicated non locking handle**  
Conforms to building regulations for non locking windows
- **Supplied with screw and spindle pack**  
Everything needed for installation included



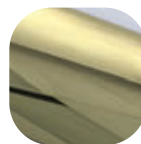
Hardex  
Chrome



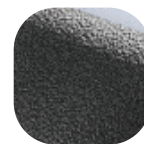
Hardex  
Satin



Hardex  
Bronze



Hardex  
Gold



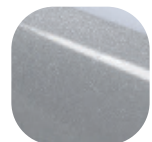
Antique  
Black



White



Black



Silver

# Connoisseur Inline Non Locking

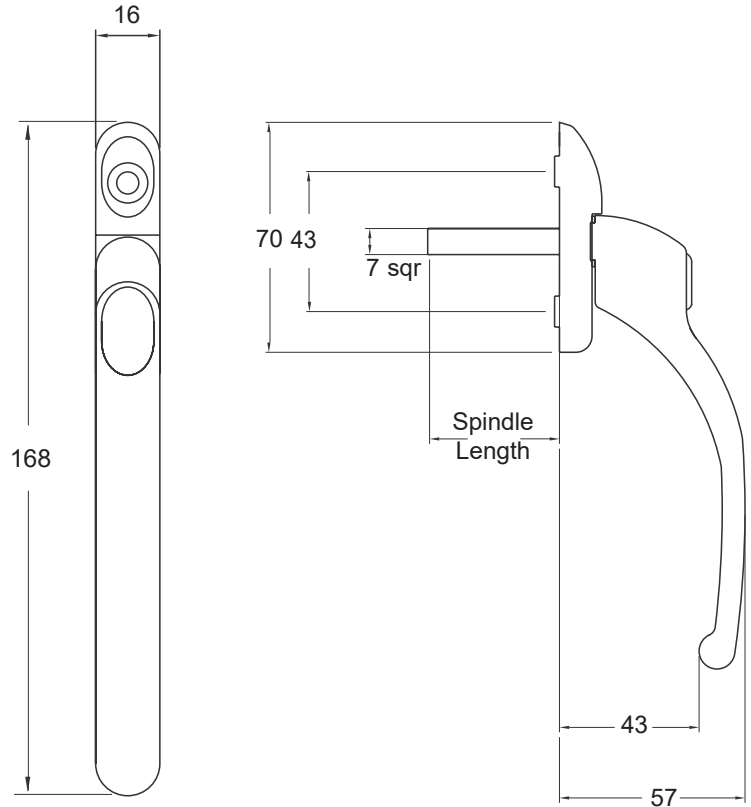
Ordering Details		
Product		
Connoisseur Inline Non Locking		
Finish	Part No.	
<b>Spindle Size</b>	<b>30mm</b>	<b>40mm</b>
Hardex Chrome	0C361	0C381
Hardex Satin	0C362	0C382
Hardex Bronze	0C363	0C383
Hardex Gold	0C365	0C385
Antique Black	0C366	0C386
White	0A360	0A380
Black	0A361	0A381
Silver	0A362	0A382

For additional part numbers please contact our sales office.

Technical Information	
<b>Corrosion resistance</b>	Meets the requirements of BS EN 1670:2007 Grade 5 (480 hours)
<b>Operation</b>	Endurance tested in excess of 50,000 cycles
<b>Performance</b>	Tested to meet the requirements of PAS 24 as part of a compliant window
Material Specification	
Handle Grip and Backplate:	High quality Zinc for all Hardex finishes and Antique Black. High quality Aluminium for White, Black and Silver finishes
Coatings:	Hardex Chrome, Satin, Bronze, Gold, Antique Black, White, Black and Silver

Maintenance
For continued protection of the quality finish and appearance, Fab&Fix advise routine cleaning of all our external hardware. Moving parts should also be lightly lubricated at least twice a year. This procedure is particularly essential if products are used within a 25-mile radius of coastal areas or close proximity to building sites or large industrial areas, where more frequent cleaning may be required to prevent the accumulation of corrosive contaminants.

Packaging
<b>Handles</b> Individually bagged with screws, cover caps and care instructions. 10 handles in an inner box, 60 handles in an outer box.



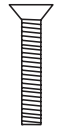
Front Cover Cap



Rear Cover Cap



Screws x2



All dimensions are in mm and are nominal.  
Fab&Fix reserves the right to change specification without notice.  
It is the responsibility of the window manufacturer to ensure that the finished product meets any required safety and performance specification.